

## SMS-200

### Digital Stroboscope

#### Features

- Extremely high illuminance with large reflector
- Simple flash frequency adjustments by turning knob or triggering with external sensor
- Continuous use possible with good heat dissipation and flash control
- Ergonomical and rugged housing design
- Excellent price/performance ratio



#### Details



Series SMS-200 stroboscopes can be used for non contact RPM measurements and for observation of fast repeated motions of machines, their moving components or the handled material.

The revolving or oscillating machine component can be visualised as a stop-motion picture by adjusting the light flashes synchronously to the rate of the movement.

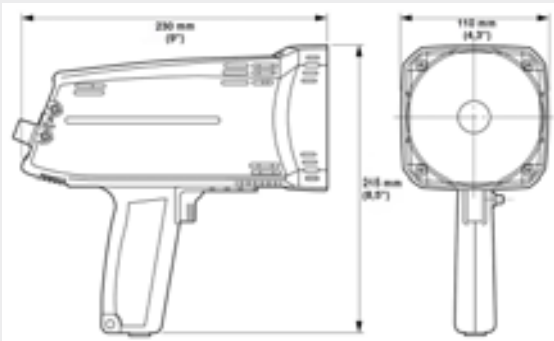
With the multiplier/divider function the actual RPM or frequency of the motion can be determined accurately.

The phase shift function enables slow-motion effects and visual positioning of the observed component.

## Order Info

### SMS-200E

### SMS-200B



Standard

Stroboscope with external power supply, mains cord and operation manual.

Stroboscope with internal rechargeable battery, AC-charger, mains cord and operation manual.

Option

**SMS-930** Spare flash tube  
**SMS-800** Calibration certificate – Stroboscopes

## Spec

### SMS-200E

### SMS-200B

		SMS-200E	SMS-200B
<b>Range</b>		40...12.500 FPM	
<b>Accuracy</b>		0,02% (+/-1 digit)	
<b>Resolution</b>		0,1 FPM   0,2FPM (5.000...7.999,8)   0,5 FPM (8.000...9.999,5)   1 FPM (> 10.000)	
<b>Phase Shift</b>	internal trigger	360°	
	external trigger	- / -	
	delay time (ext.)	- / -	
<b>Multiplier</b>		X 2   X 1/2	
<b>Output Signal</b>		NPN open collector (24VDC, 150µsec, 50mA)	
<b>Input Signal</b>	type	NPN open collector   2-wire proximity switch   relays	
	sensor voltage supply	- / -	
<b>Display</b>	type	red LED, 5-digit, 10mm high	
<b>Flash Tube</b>	type	Xenon 10 W   white 6500K	
	life time	100 mio flashes	
	flashing time /- illuminance	10...15 µsec / ~ 400 Lux	
<b>Battery</b>	type	- / -	internal lead acid battery
	operation/ recharge time	- / -	app. 60 min / app. 15 h
	overcharge protection	- / -	✓
	operation during charging	- / -	- / -
<b>Power Supply</b>		230 VAC (50...60Hz)	Charger: 100...240VDC (50...60Hz)
<b>Temperature Range</b>	operation	0...40° C	
<b>Weight</b>		700 g	1.250 g
<b>Housing Material</b>		ABS, fibreglass reinforced	
<b>Tripod Fixing</b>		1/4-20unc, length 8mm	